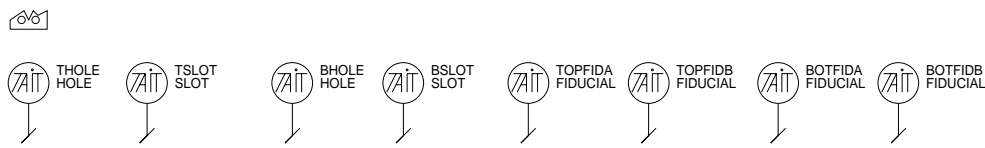


PL100
15 WAY R-ANGLE DRANGE PLUG



PRODUCT TYPE								
-10	-15	-	-	-	-	-	-	-
T82510 2K2	T82515 2K2	SPARE1 2K2	SPARE2 2K2	SPARE3 2K2	SPARE4 2K2	T825- 2K2	T825 2K2	T825- 2K2

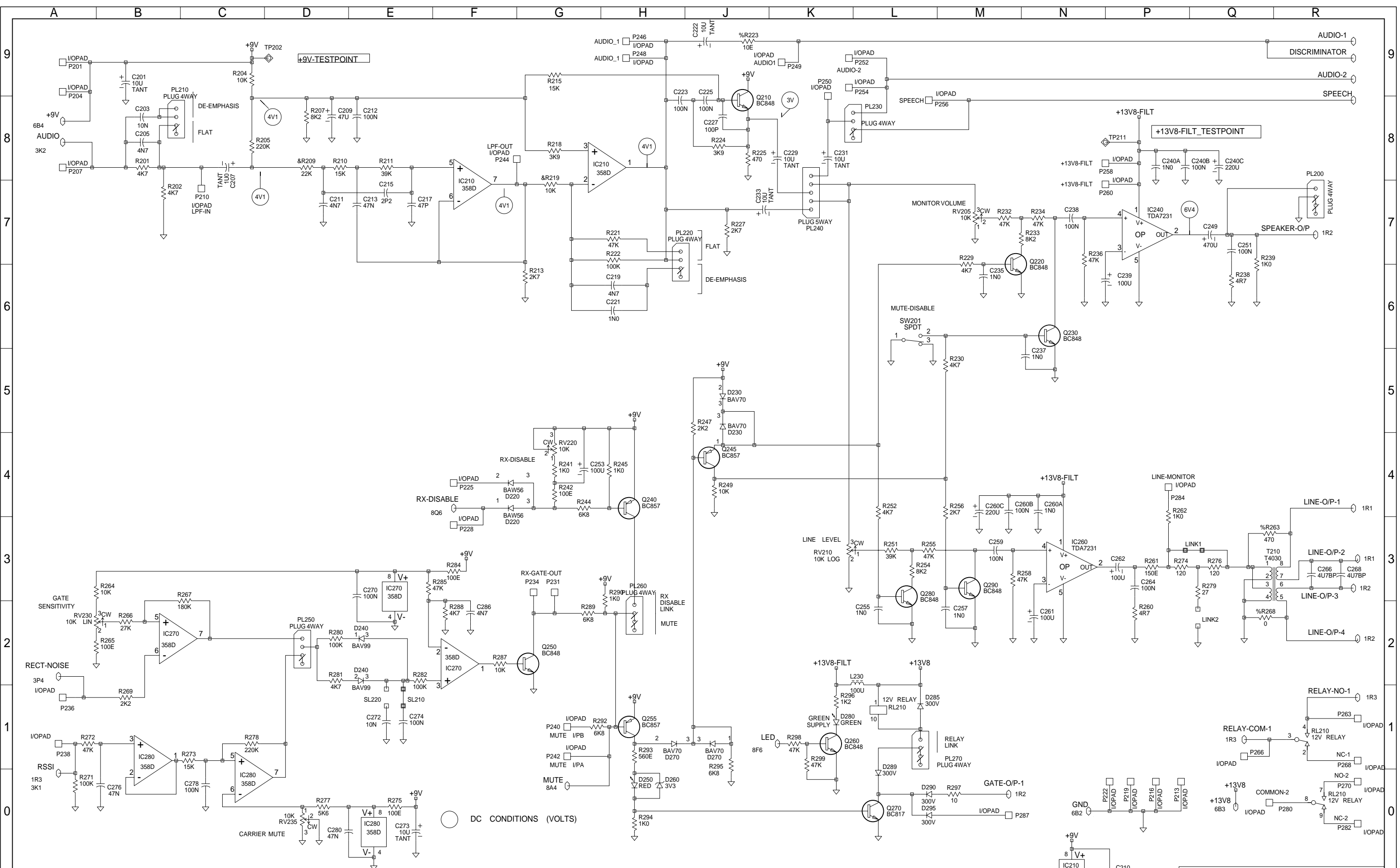
DGND & GND ARE CONNECTED THROUGH R617 ON SHEET 6

© TAIT ELECTRONICS
T825 RECEIVER

IPN: 220-01446-03 ISSUE: 3B ID: 2.S.C. 1

PROJECT: T825RX DESIGNER: MAJ FILE NAME: 144603b FILE DATE: 31-May-00 NO. SHEETS: 9

REV/ISS	AMENDMENTS	DRAWN	CHKD	D.O.	APVD	DATE
03B	MINOR MODS AFTER DESIGN REVIEW	MAJ				
03A	UPDATED	MAJ				
02B	UPDATED	MAJ	AG	DE	RC	23-08-99
01A	UPDATED	MAJ				11-08-98
0A	ORIGINAL	MAJ				22-12-97



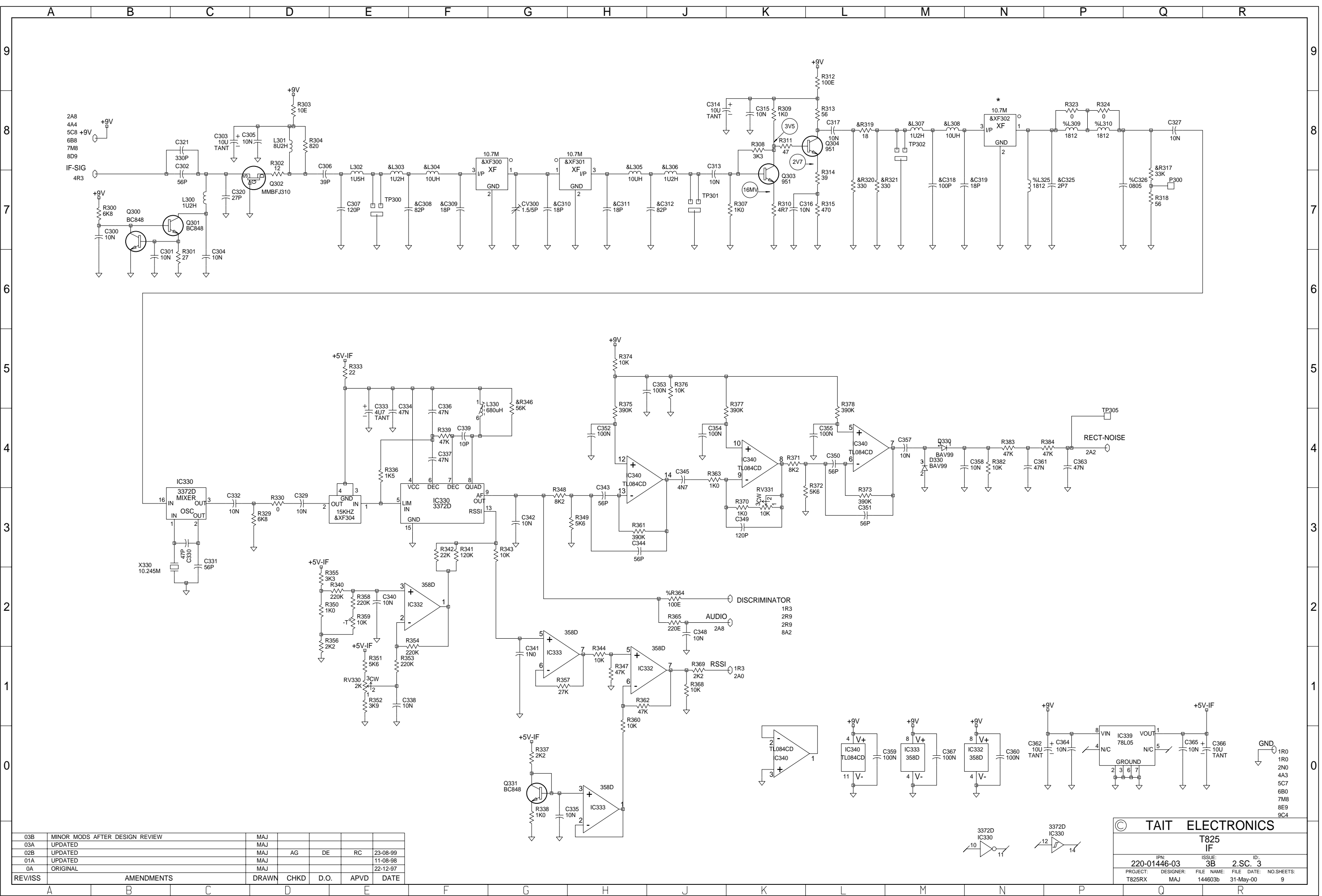
03B	MINOR MODS AFTER DESIGN REVIEW	MAJ				
03A	UPDATED	MAJ				
02B	UPDATED	MAJ	AG	DE	RC	23-08-99
01A	UPDATED	MAJ				11-08-98
0A	ORIGINAL	MAJ				22-12-97
REV/ISS	AMENDMENTS	DRAWN	CHKD	D.O.	APVD	DATE

© TAIT ELECTRONICS

T825
AUDIO PROCESSOR

IPN: 220-01446-03 ISSUE: 3B ID: 2.S.C. 2

PROJECT: T825RX DESIGNER: MAJ FILE NAME: 144603b FILE DATE: 31-May-00 NO.SHEETS: 9



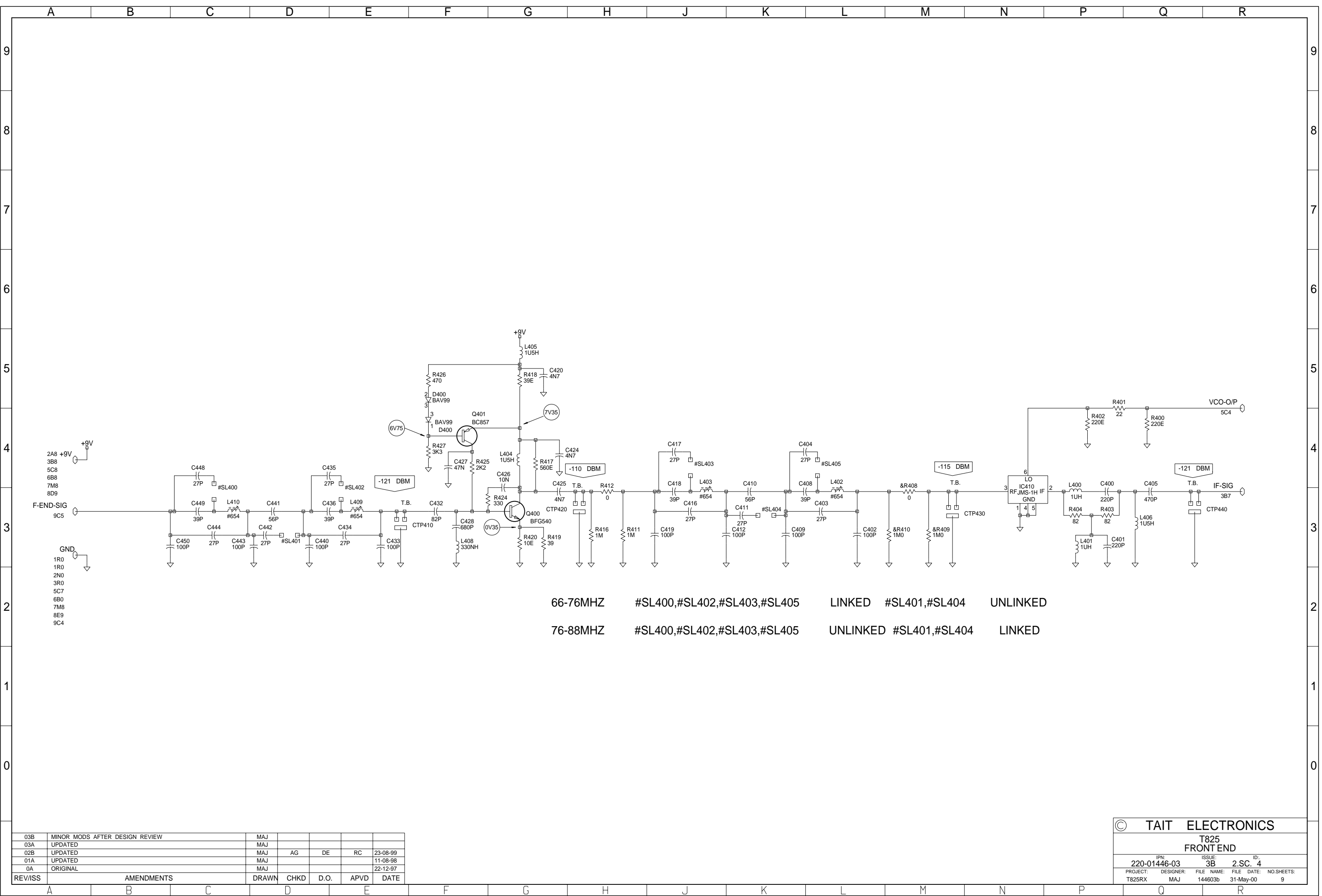
03B	MINOR MODS AFTER DESIGN REVIEW	MAJ				
03A	UPDATED	MAJ				
02B	UPDATED	MAJ	AG	DE	RC	23-08-99
01A	UPDATED	MAJ				11-08-98
0A	ORIGINAL	MAJ				22-12-97
REV/ISS	AMENDMENTS	DRAWN	CHKD	D.O.	APVD	DATE

© TAIT ELECTRONICS

T825
IF

IPN: 220-01446-03 ISSUE: 3B ID: 2.S.C. 3

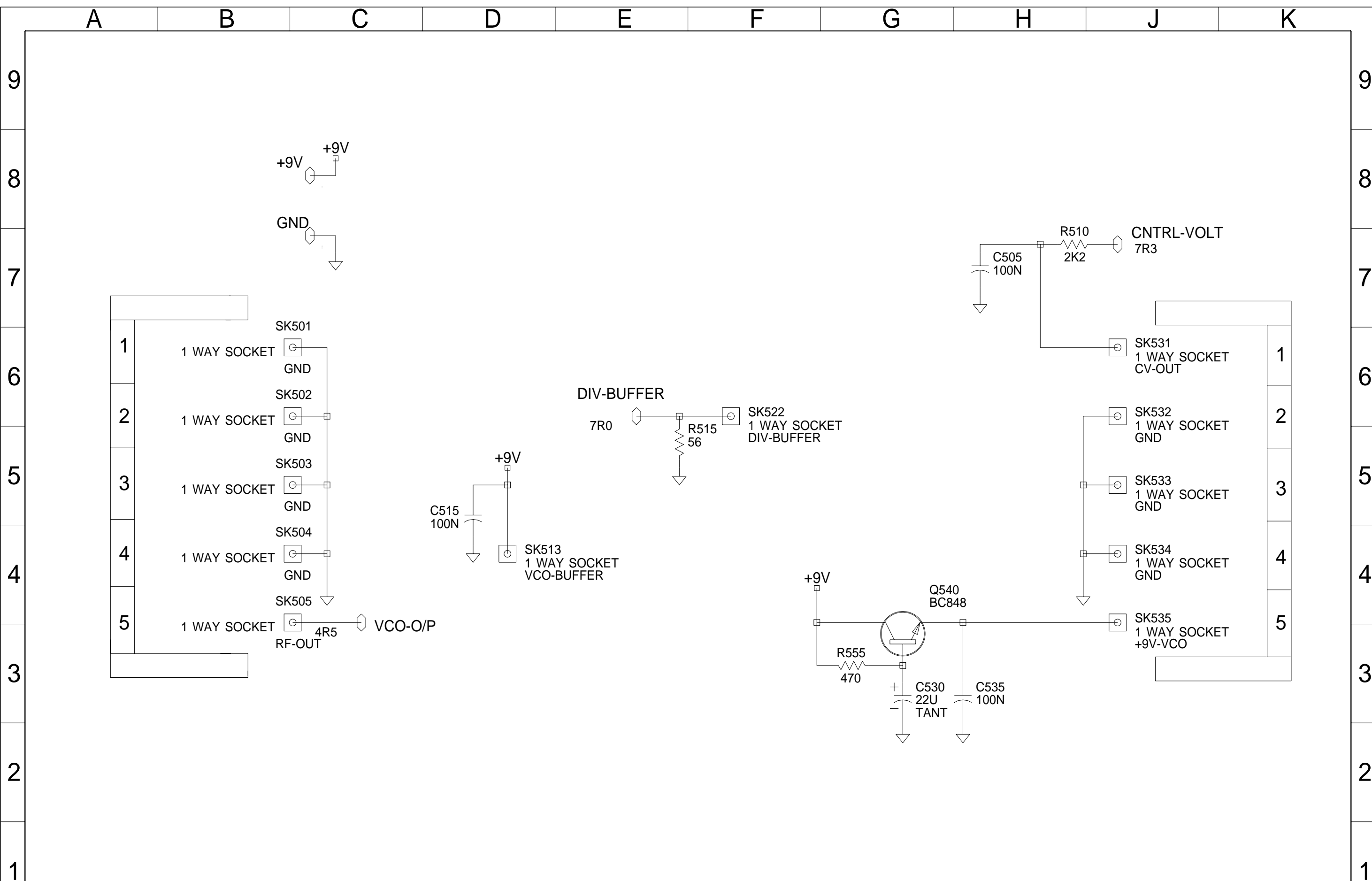
PROJECT: T825RX DESIGNER: MAJ FILE NAME: 144603b FILE DATE: 31-May-00 NO.SHEETS: 9



66-76MHZ #SL400,#SL402,#SL403,#SL405 LINKED #SL401,#SL404 UNLINKED
 76-88MHZ #SL400,#SL402,#SL403,#SL405 UNLINKED #SL401,#SL404 LINKED

03B	MINOR MODS AFTER DESIGN REVIEW	MAJ				
03A	UPDATED	MAJ				
02B	UPDATED	MAJ	AG	DE	RC	23-08-99
01A	UPDATED	MAJ				11-08-98
0A	ORIGINAL	MAJ				22-12-97
REV/ISS	AMENDMENTS	DRAWN	CHKD	D.O.	APVD	DATE

© TAIT ELECTRONICS
 T825
 FRONT END
 IPN: 220-01446-03 ISSUE: 3B ID: 2.S.C. 4
 PROJECT: T825RX DESIGNER: MAJ FILE NAME: 144603b FILE DATE: 31-May-00 NO.SHEETS: 9



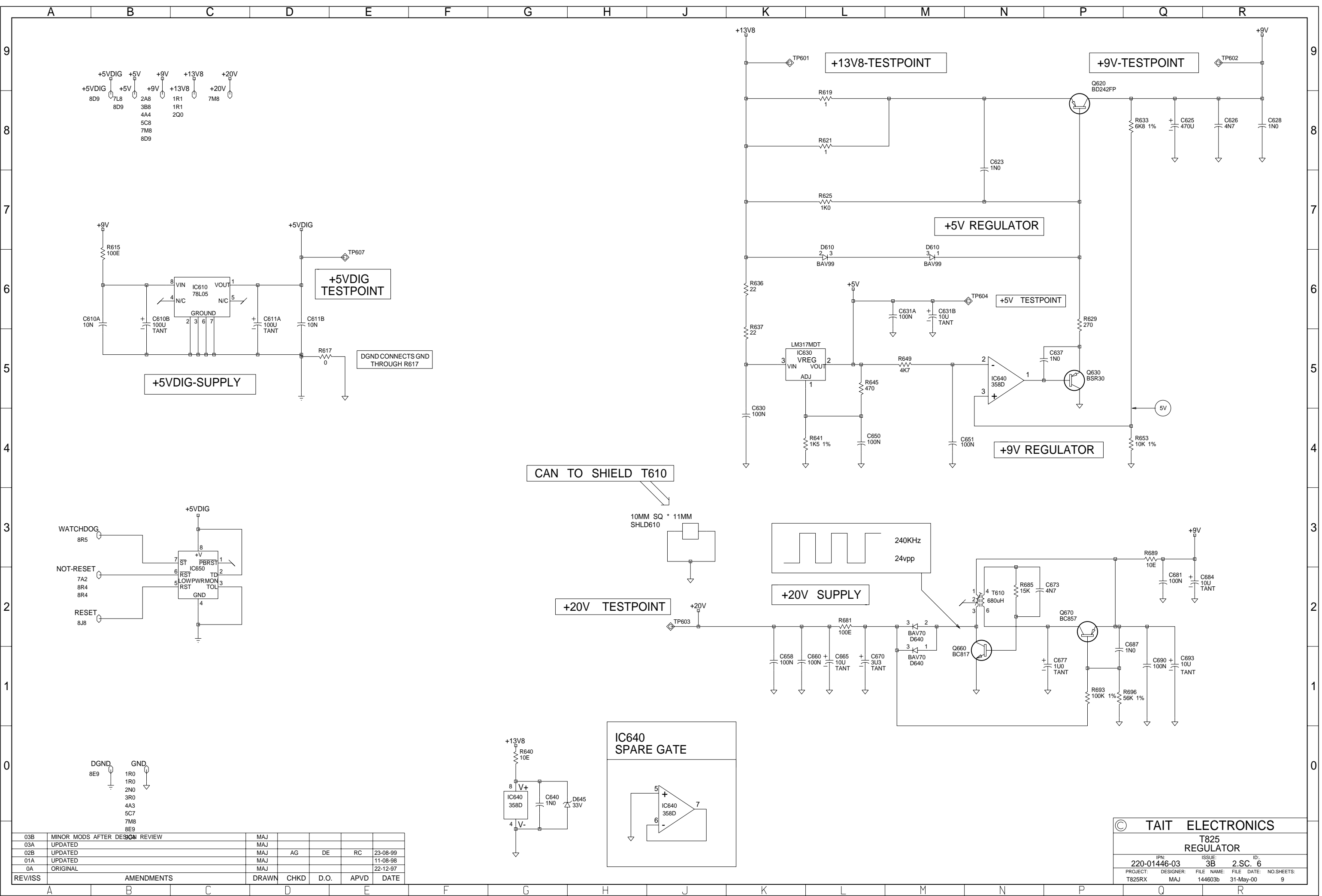
03B	MINOR MODS AFTER DESIGN REVIEW	MAJ				
03A	UPDATED	MAJ				
02B	UPDATED	MAJ	AG	DE	RC	23-08-99
01A	UPDATED	MAJ				11-08-98
0A	ORIGINAL	MAJ				22-12-97
REV/ISS	AMENDMENTS	DRAWN	CHKD	D.O.	APVD	DATE

© TAIT ELECTRONICS

T825
VCO

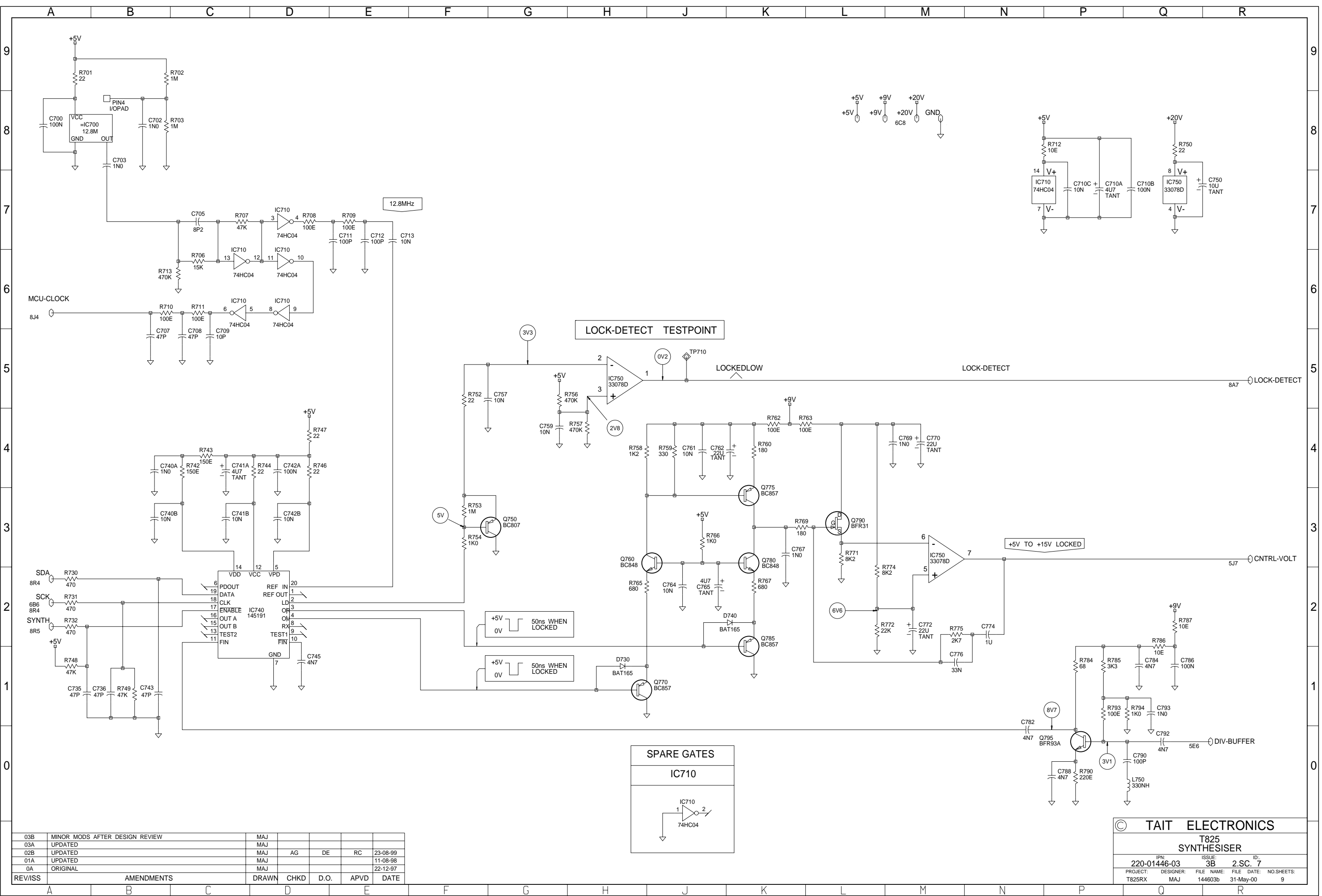
IPN: 220-01446-03 ISSUE: 3B ID: 2.SC. 5

PROJECT: T825RX DESIGNER: MAJ FILE NAME: 144603b FILE DATE: 31-May-00 NO.SHEETS: 9

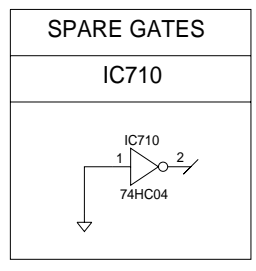


REV/ISS	AMENDMENTS	DRAWN	CHKD	D.O.	APVD	DATE
03B	MINOR MODS AFTER DESIGN REVIEW	MAJ				
03A	UPDATED	MAJ				
02B	UPDATED	MAJ	AG	DE	RC	23-08-99
01A	UPDATED	MAJ				11-08-98
0A	ORIGINAL	MAJ				22-12-97

© TAIT ELECTRONICS			
T825 REGULATOR			
IPN: 220-01446-03	ISSUE: 3B	ID: 2.S.C. 6	
PROJECT: T825RX	DESIGNER: MAJ	FILE NAME: 144603b	FILE DATE: 31-May-00
			NO.SHEETS: 9



03B	MINOR MODS AFTER DESIGN REVIEW	MAJ				
03A	UPDATED	MAJ				
02B	UPDATED	MAJ	AG	DE	RC	23-08-99
01A	UPDATED	MAJ				11-08-98
0A	ORIGINAL	MAJ				22-12-97
REV/ISS	AMENDMENTS	DRAWN	CHKD	D.O.	APVD	DATE



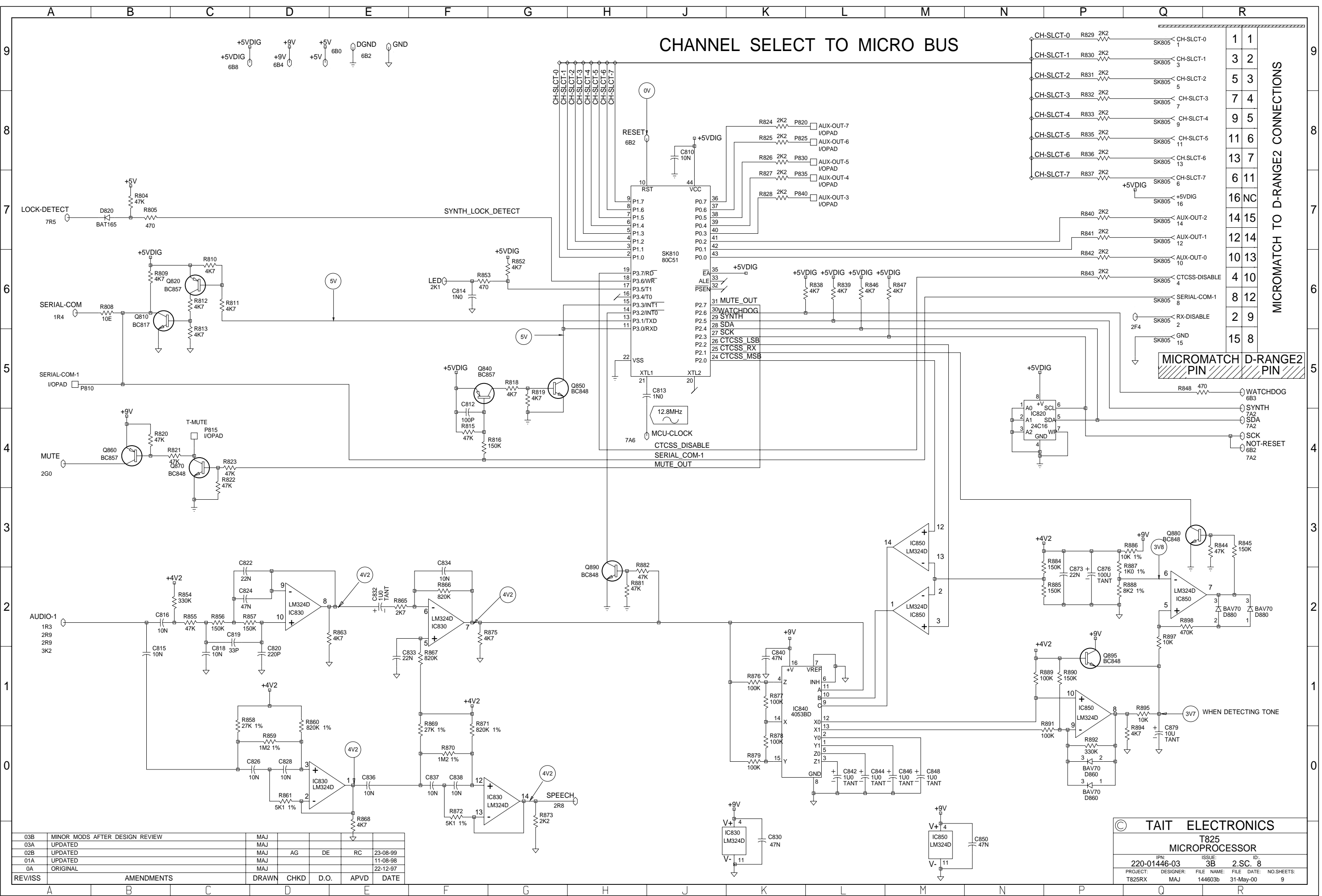
© TAIT ELECTRONICS

T825 SYNTHESIZER

IPN: 220-01446-03 ISSUE: 3B ID: 2.S.C. 7

PROJECT: T825RX DESIGNER: MAJ FILE NAME: 144603b FILE DATE: 31-May-00 NO.SHEETS: 9

CHANNEL SELECT TO MICRO BUS



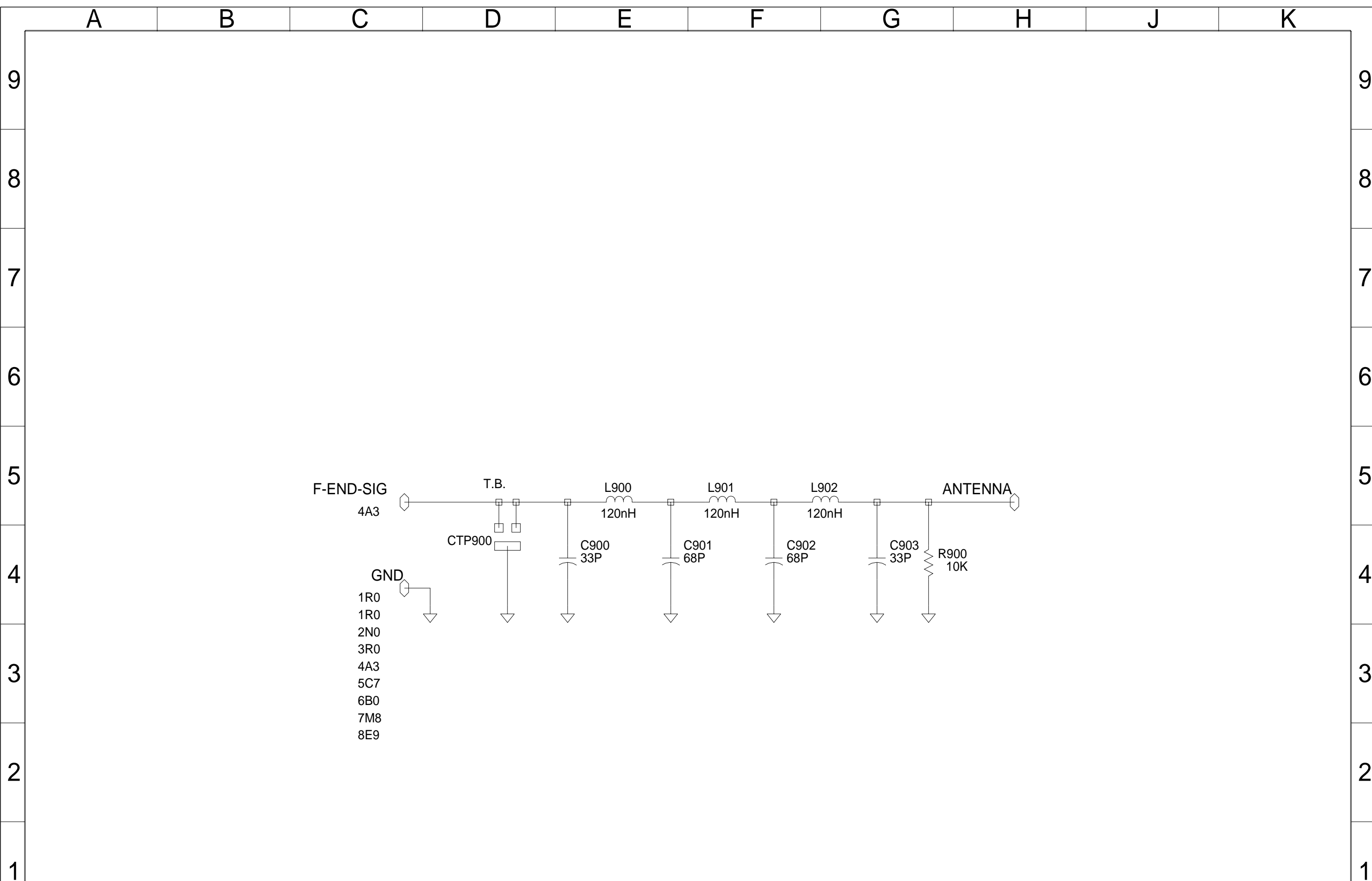
REV/ISS	AMENDMENTS	DRAWN	CHKD	D.O.	APVD	DATE
03B	MINOR MODS AFTER DESIGN REVIEW	MAJ				
03A	UPDATED	MAJ				
02B	UPDATED	MAJ	AG	DE	RC	23-08-99
01A	UPDATED	MAJ				11-08-98
0A	ORIGINAL	MAJ				22-12-97

© TAIT ELECTRONICS

T825
MICROPROCESSOR

IPN: 220-01446-03 ISSUE: 3B ID: 2.S.C. 8

PROJECT: T825RX DESIGNER: MAJ FILE NAME: 144603b DATE: 31-May-00 NO. SHEETS: 9



03B	MINOR MODS AFTER DESIGN REVIEW	MAJ				
03A	UPDATED	MAJ				
02B	UPDATED	MAJ	AG	DE	RC	23-08-99
01A	UPDATED	MAJ				11-08-98
0A	ORIGINAL	MAJ				22-12-97
REV/ISS	AMENDMENTS	DRAWN	CHKD	D.O.	APVD	DATE

© TAIT ELECTRONICS

T825
HARMONIC FILTER

IPN: 220-01446-03 ISSUE: 3B ID: 2.SC. 9

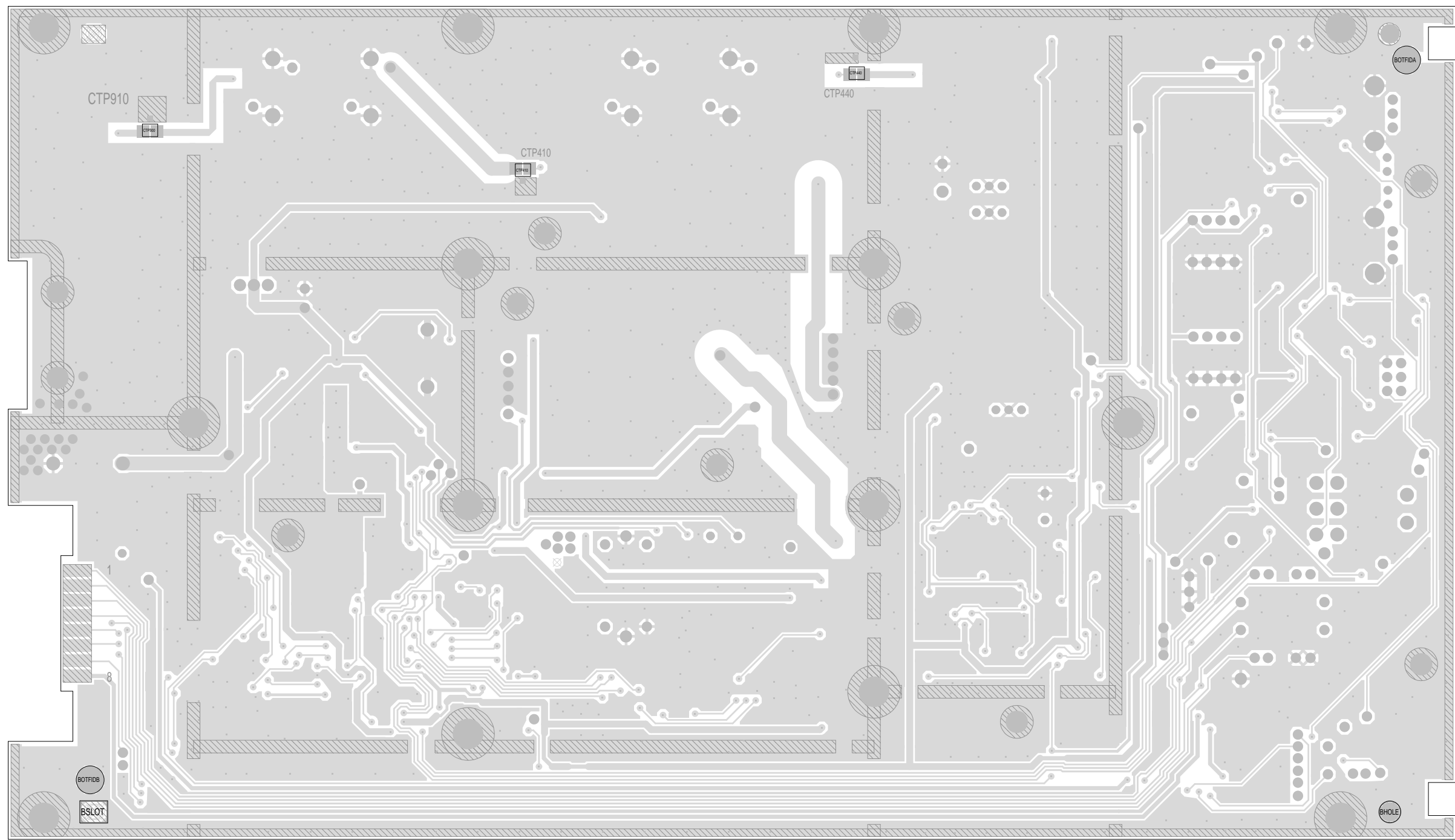
PROJECT: T825RX DESIGNER: MAJ FILE NAME: 144603b FILE DATE: 31-May-00 NO.SHEETS: 9

9
8
7
6
5
4
3
2
1
0

9
8
7
6
5
4
3
2
1
0

A B C D E F G H J K

A B C D E F G H J K



Q P N M L K J H G F E D C B A

9
8
7
6
5
4
3
2
1

TAIT ELECTRONICS	IPN:	ISS:	ID:	DATE:
	220-01446-03	B	2.BA	31 May 2000
825 RECEIVER PCB LAYOUT - BOTTOM SIDE				

Scale: 1.2:1 ; Rotation: 0 degrees